



Horne, T.
26-0055

Fwd: Girard 407 pressure vent raincap

1 message

Jeff Smith <jesmith@qualitycarriers.com>
To: yul.baker@dot.gov

Mon, May 4, 2026 at 9:55 AM

Jeff Smith | Trainer - HM Compliance

Quality Repair Solutions

1208 East Kennedy Boulevard, Suite 132, Tampa, FL 33602

Cell **513.265.2213** | jesmith@qrsshops.com



----- Forwarded message -----

From: **Jeff Smith** <jesmith@qualitycarriers.com>
Date: Wed, Apr 22, 2026 at 1:39 PM
Subject: Girard 407 pressure vent raincap
To: <pipeline_interp_submittal@dot.gov>

I am writing to get an interpretation of 178.345-10(b)(6). We received 3 violations from PUCO saying our vents are missing the rain cap. I have included a picture of the vent in question, a parts breakdown from Girard, and the violation itself. Girard calls this an upper housing plug, merely a closure piece. The vent is still designed to shield and drain any water. And it had the required rain cap on it. Please provide any feedback on this, as PUCO won't act without it. Thank you



Jeff Smith | Trainer - HM Compliance


Quality Repair Solutions

1208 East Kennedy Boulevard, Suite 132, Tampa, FL 33602

Cell **513.265.2213** | jesmith@qrshops.com



2 attachments

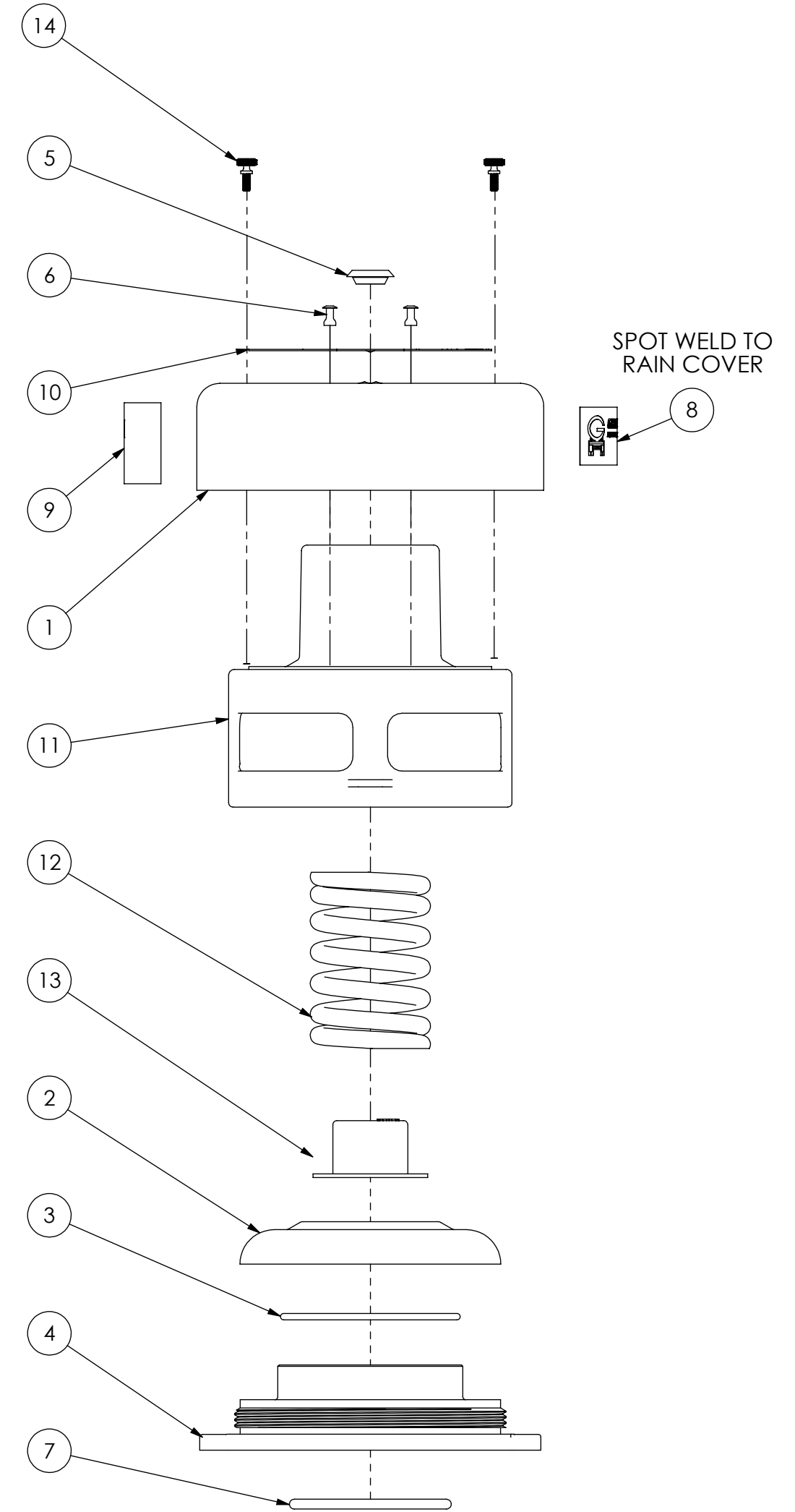
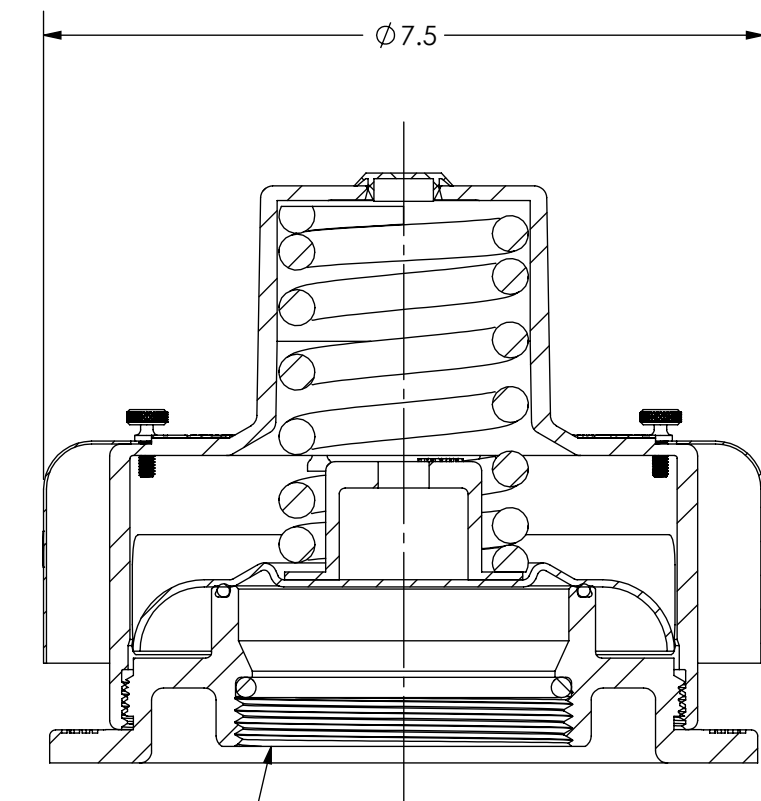
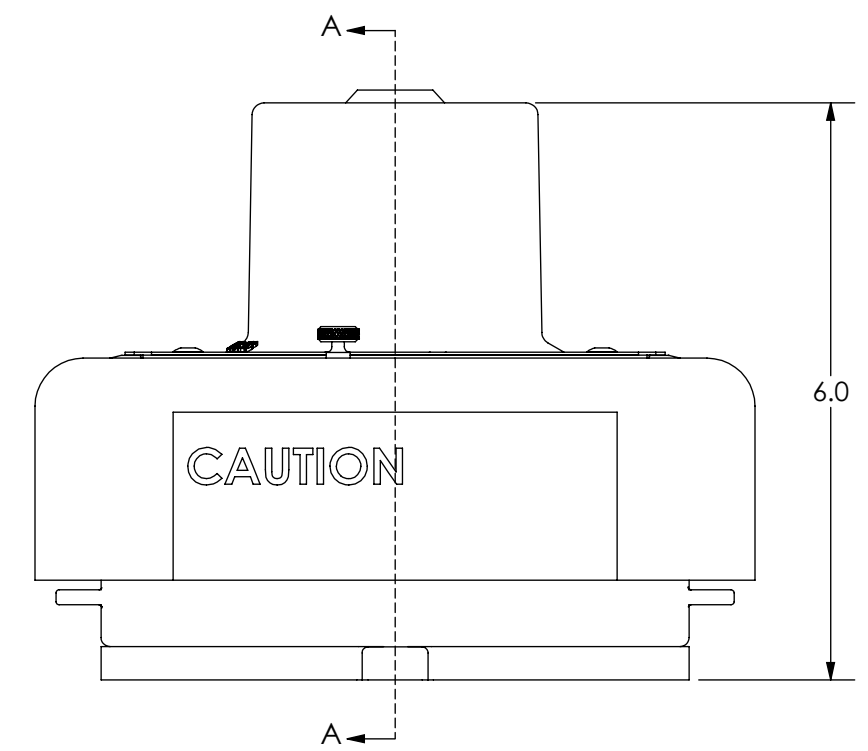
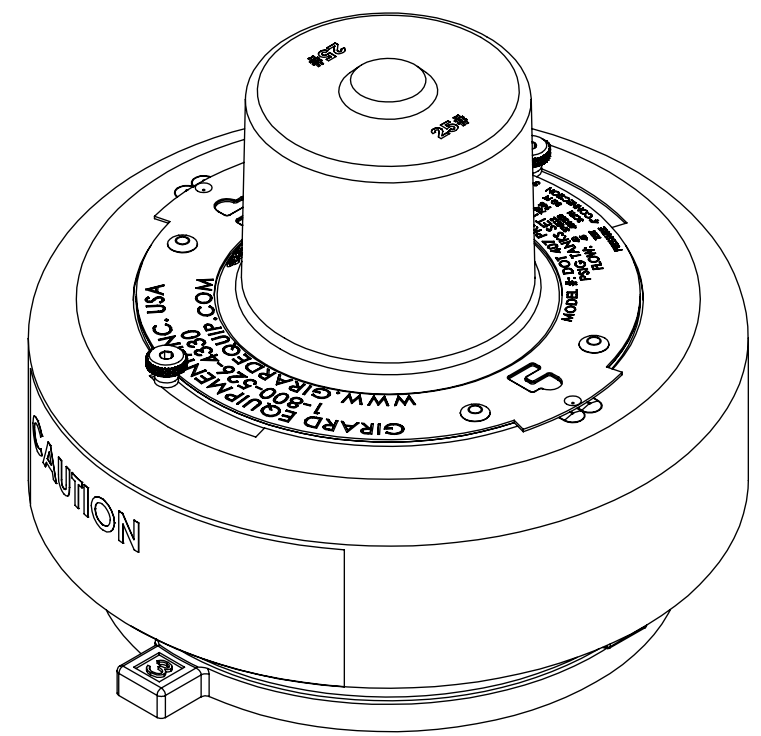
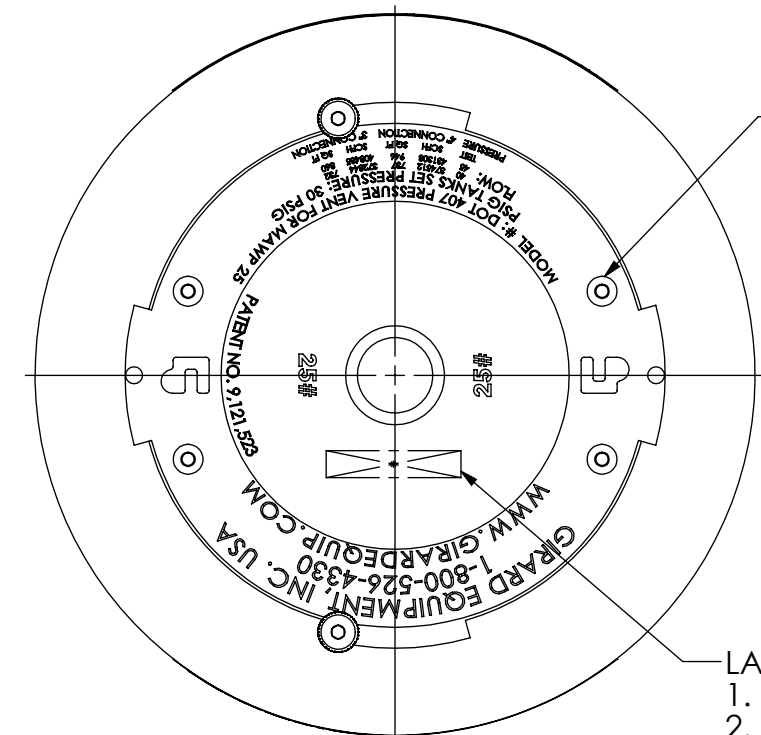
 **GA00100-C (1) (1).pdf**
364K

 **dp0205Derale Peace(ON-DUTY) Roadside Inspection(1).pdf**
722K

ITEM NO.	PART NUMBER	DESCRIPTION	QTY.
1	GB03010	VENT RAIN COVER	1
2	GB06010	VENT, POPPET, LOW PROFILE	1
3	GB07000	VENT O-RING	1
4	GB18000	VENT 3" THREADED LOWER HOUSING	1
5	GB19000	VENT, UPPER HOUSING HOLE PLUG	1
6	GB98030	RIVET, VENT, 5/32" DIA	4
7	GM30010	3" TEFLON O-RING GASKET	1
8	GO40100	NAMEPLATE, VENT, METAL	1
9	GO40130	GE CAUTION LABEL, SPRING, PEEL & STICK	1
10	GB02050	VENT RTG DISC, DOT 407, 25 PSI	1
11	GB04001	DOT407 VENT LOW PROFILE UPPER HOUSING 25#	1
12	GB05000	VENT PRESSURE SPRING	1
13	GB25010	VENT SPRING RETAINER	1
14	GB03020	RAIN COVER RETAINING SCREW	2

- CASE TEST (MACHINE SHOP)
1. MOUNT LOWER HOUSING (SHELL) TO TEST FIXTURE AND PRESSURE TEST AT 50 TO 55 PSIG.
 2. NO LEAKS ALLOWED.
- SEAT LEAKAGE TEST
1. RAPIDLY INCREASE GAS PRESSURE AND BLOW OUT THE ASSEMBLY, ASSURE THAT THE O- RING DOES NOT UNSEAT.
 2. SLOWLY INCREASE GAS PRESSURE UNTIL THE VALVE OPENS. SEE CHART BELOW FOR START TO DISCHARGE PRESSURES AND TOLERANCES.
 3. CLOSE AIR SUPPLY OFF AND WAIT FOR VALVE TO RESEAT.
 4. RESEAT PRESSURE IN CHART BELOW.

REVISIONS				
REV.	DESCRIPTION	DATE	APPROVED	ECN
A	INITIAL RELEASE	9/10/14	RDS	20140910
B	UPDATED UPPER HOUSING, ADDED GB03020, GB25000 WAS GB25010, GB05200 WAS GB05000, AND GB02053 WAS GB02050	11/24/15	KMK	20150911
C	REVERT TO PREVIOUS DESIGN	10/25/16	CB	20161021



SET PRESSURE	30 - 33 PSIG
TEST PRESSURE	40 PSIG
RESEAT PRESSURE	27 - 33 PSIG
FLOW @ 40 PSIG	372844 SCFH
FLOW @ 45 PSIG	408485 SCFH

THIS IS THE PRIVATE AND CONFIDENTIAL PROPERTY OF GIRARD EQUIPMENT INC. AND IS NOT TO BE COPIED OR REPRODUCED WITHOUT THE WRITTEN CONSENT OF GIRARD EQUIPMENT INC.

UNLESS OTHERWISE SPECIFIED DIMENSIONS ARE IN INCHES
 .XX .XXX ANGLES
 ±.015 ±.005 ±0° 30'

MATERIAL: SEE BOM

FINISH: SEE BOM

APPROVALS: DRAWN RDS, CHECKED gah, ESTIMATED WEIGHT 11.7

DATE: 9/13/14, 9/22/14

SCALE: 1:2

GIRARD EQUIPMENT, INC.
 4360 Old Dixie Highway Vero Beach, FL 32967

DOT407 JETVENT
 3" NPT 25#

SIZE: C

REV: C

DRIVER/VEHICLE EXAMINATION REPORT

Ohio

Public Utilities
Commission

State of Ohio
Public Utilities Commission of Ohio
180 E Broad St
Columbus, OH 43215
Phone: 800-686-8277
Email/Web: www.puca.ohio.gov

Report Number: OH3211000093
Inspection Date: 07/01/2025
Start: 09:46 AM EDT End: 10:21 AM EDT
Inspection Level: II Certification Date:
HM Inspection Type: Bulk

QUALITY CARRIERS INC
1208 E KENNEDY BLVD SUITE 132
TAMPA, FL, 33602
dba: QUALITY CARRIERS
USDOT#: 76600
MC/MX#: _____
State#: _____
Phone#: 8135697113
Fax#: 8135691439

Driver: Peace, Deralo, A
License# TX264684
State# OH
Date of Birth# 03/27/1994
CoDriver:
License# _____
State# _____
Date of Birth# _____

Location: Wadsworth Scales
MilePost: 5
Highway: I-76 WB
County: Medina
Shipper: PPG
Bill of Lading: 3474554
Origin: Euclid, OH, US
Destination: TULSA, OK, US
Cargo: Hazardous Materials

VEHICLE IDENTIFICATION

Unit	Type	Make	Year	State	Plate #	Equipment ID	VIN	GVWR	Mileage	CVSA #	CVSA Issued #	OOS Sticker
1	TT	FRHT	2020	IL	P1045810	920126	1FUJHHDV7LLL1851	52,000				
2	ST	BREN	2006	IL	TS20001	701952	10BFB72T66F0B7116	68,000				

VIOLATIONS ATTRIBUTABLE TO THE MOTOR CARRIER

Vio Code	Section	Unit	OOS	Citation #	Verify	Violations Discovered
178.345-10-HMP	178.345-10	2	N		N	HM (Packaging) - DOT 406/407/412 pressure relief. : Rain cap missing.
395.24	395.24	D	N		N	HOS (ELD) - ELD Form and Manner: Violation Date: 07/01/2025; 395.24(c)(2)(iii) Blank.

Hazardous Materials

HM Type: Bulk

Cargo Tank Specification: 407

Placards Required: Yes

HM Class
B
8 Corrosive material

Rep Quantity
Y

HM Waste
N

UN/NA#
UN1814

Proper Shipping Name
Potassium hydroxide, solution

HMSP Required? No

HMSP in Possession of Driver? N/A

Special Checks:

Other

The undersigned certifies that all violations noted on this report have been corrected and action has been taken to assure compliance with the Federal Motor Carrier Safety and Hazardous Materials Regulations insofar as they are applicable to motor carriers and drivers. False certifications of the required repairs are required to be prosecuted with penalties up to \$10,000.

Signature Of Repairer X: _____

Facility: _____

Date: _____

NOTE TO DRIVER: Within 24 hour this report must be furnished to the motor carrier whose name appears at the top of this report. [49 CFR 396.9(d)(1)]
NOTE TO MOTOR CARRIERS: All violations of the FHMR and FMCSR or Title 49 of the Ohio Revised Code will be reviewed by the PUCO's Transportation Department to determine whether civil forfeitures should be assessed against any responsible parties in accordance with the penalty provisions of Title 49 of the Ohio Revised Code. If civil forfeitures are assessed, you will receive a separate notice by mail. These penalties may be assessed to motor carriers, shippers, and/or drivers. Pursuant to authority contained in Title 49, Code of Federal Regulations, Section 396.9(d)(3), within 15 days of the inspection sign below certifying all violations noted on this report have been corrected. Certification of repair will ONLY be accepted by mailing the completed form to: PUCO, Attn: TASP, 180 East Broad St, Columbus, OH 43215 -- OR -- by email at RepairCert@puca.ohio.gov. Failure to return this report with the required certification can result in penalties up to \$1,000 per day for each day the violation continues, up to a total of \$10,000. The carrier must retain a copy at the principal place of business or where the vehicle is housed for 12 months from the date of the inspection.

Signature Of Motor Carrier Official X: _____

Date: _____

Report Prepared By
T. B...Radio #: Radio #:
3271 3271Conv. Received By:
DERALE A PEACE

Page 1 of 2



76600 OH OH3211000093